



**Grain Operations**

CBH GROUP

DATE: 8.8.12

RECORD: 1CR126693

FILE: A70467

CO-OPERATIVE BULK HANDLING LIMITED  
ABN 29 256 604 947

Gayfer House  
30 Delhi Street, West Perth  
Western Australia 6005

GPO Box L886  
Perth WA 6842

Tel: (08) 9237 9600  
Fax: (08) 9322 3942  
Email: [info@cbh.com.au](mailto:info@cbh.com.au)

[www.cbh.com.au](http://www.cbh.com.au)

OUR REF: 1242241  
YOUR REF:  
ENQ: Tim Dolling  
DIRECT LINE: 08 9216 6094

7 August 2012

Mr Craig Pursey  
Planning Officer  
Shire of Jerramungup  
PO Box 92  
JERRAMUNGUP WA 6337

Dear Craig

#### APPLICATION FOR PLANNING APPROVAL

I refer to the requirement to transfer grain from the 2011/12 harvest within the Gairdner grain receival point. Proposed development includes compacting existing ground for the internal road and pad and installing the open bulkhead.

Please find attached completed, co-signed application for planning approval form and drawings in duplicate. The planning application fee can be paid by electronic fund transfer and request an invoice be issued with advice of the turnaround times for assessment and determination of the application.

An application for building permit will be submitted for the open bulkhead and I await formal advice of determination of the application for planning approval.

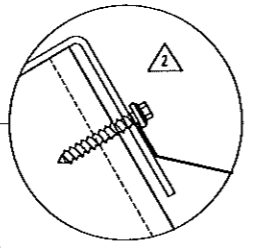
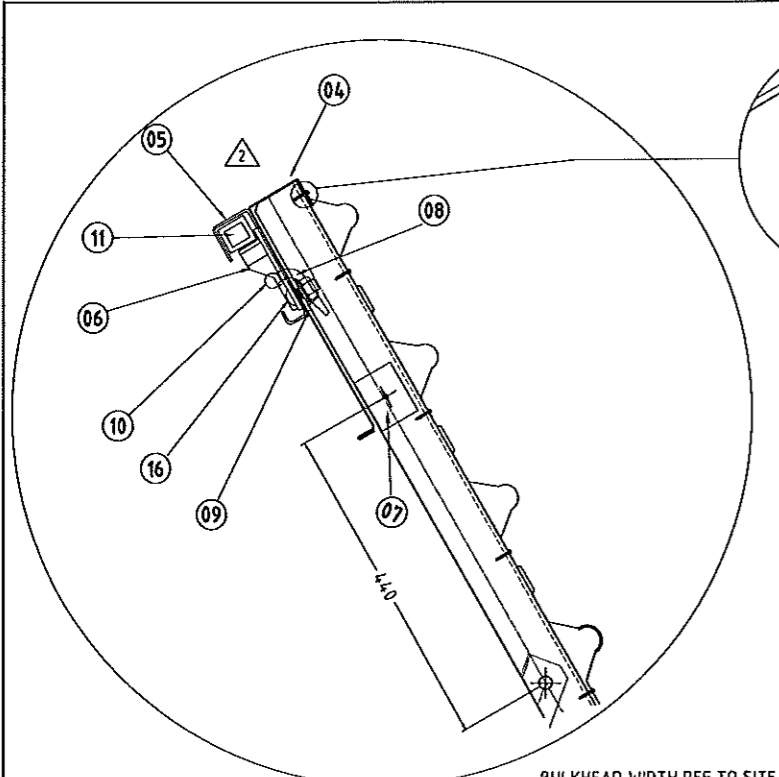
If you have any enquiries and to arrange prompt EFT of the fee, please contact Tim Dolling, Planning Coordinator, on 08 9216 6094, 0439 969 835 or email [tim.dolling@cbh.com.au](mailto:tim.dolling@cbh.com.au).

Yours sincerely

**For: Co-operative Bulk Handling Limited**

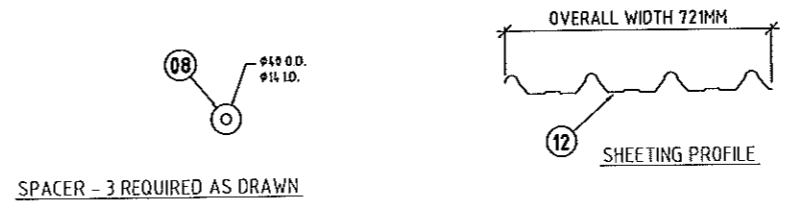
**Colin Tutt**  
General Manager

Enc



MATERIAL LIST					
ITEM	QTY.	SECTION	LENGTH	REMARKS	MASS
01	3	FRONT FRAME	-	MK-STD-034-0021-03	-
02	3	BACK FRAME	-	MK-STD-034-0021-02	-
03	3	BOTTOM FRAME	-	MK-STD-034-0021-01	-
04	1	CAPPING	-	MK-STD-034-0011-01	-
05	1	CLAMP	-	MK-STD-034-0011-02	-
06	3	PLASTIC TOGGLE	-	NOVAPLAS 8W-FN 117849	-
07	3	BRACKET	-	MK-STD-034-0011-04	-
08	3	NYLON SPACER	-	MK-STD-034-0011-05	-
09	-	-	-	-	-
10	2	LOCKING PIN	-	MK-STD-034-0011-19	-
11	1	32x32x3 FRP HOLLOW SQUARE BAR	2950	FRP ENGINEERING	-
12	3	FR DECK 650	3200	0.478MT	-
13	6	Ø20 BULKHEAD PIN	420	SEE DWG-STD-034-0004-1	-
14	25	H-TEK HEX 14-29 with seal	22	-	-
15	3	M16 BOLT C/W8 NUT	130	GALV	-
16	6	M16 BOLT C/W8 NUT	150	GALV	-
17	3	M12 TOR HEAD BOLT C/W 4 NYLON NUT & W	35	GALV	-
18	1	TARP TENSION LEVER	-	STD-034-0014-01	-

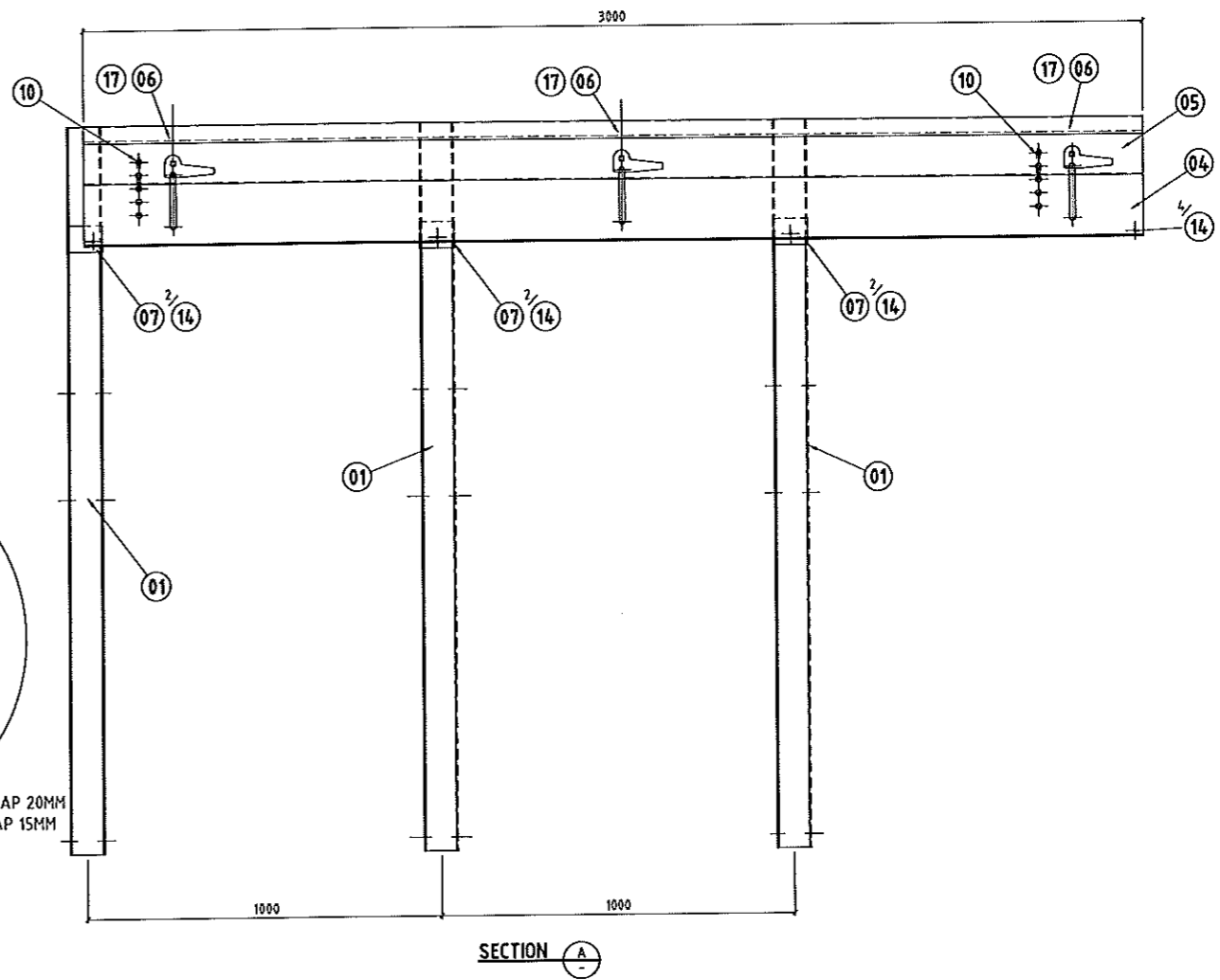
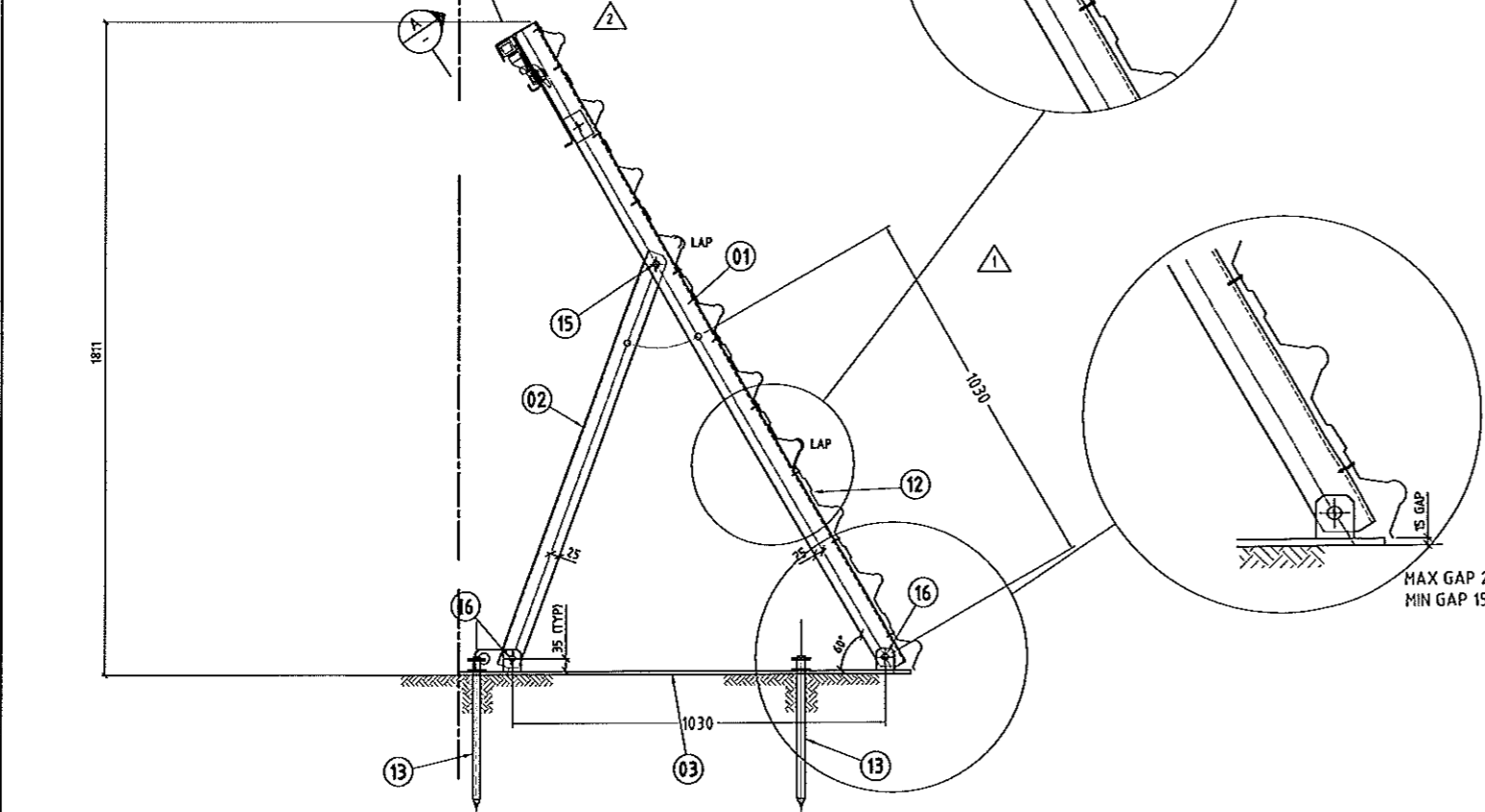
NOTE: QUANTITIES FOR 3M SECTION



ARRANGEMENT OF FRAME AND SHEETING USING ONE NON-CBH SHEET AND ONE CBH SHEET

BULKHEAD WIDTH REF TO SITE PLAN

WORK POINT LAYOUT FOR ALL BULKHEADS FROM THIS POINT



BOLTED FRAME

SECTION A-A

COPYRIGHT:  
THIS DRAWING AND THE CONTENTS DEPICTED OR WRITTEN THEREON, WHETHER IN WHOLE OR IN PART, IS THE EXCLUSIVE INTELLECTUAL PROPERTY OF BULKWEST PTY LTD. AND SHOULD NOT BE REPRODUCED OR USED FOR ANY PURPOSE WITHOUT THE EXPRESS WRITTEN APPROVAL OF BULKWEST PTY LTD.

40 MIGUEL ROAD BIBRA LAKE, WA 6163  
TEL (08) 9236 5350 FAX (08) 9236 5370

38 DELUX STREET, WEST PERTH WA 6155  
PH (08) 9237 9600  
FX (08) 9232 3942

DO NOT SCALE FROM THIS DRAWING - ASK!!

REF	DRG NO	REFERENCE DRAWING TITLE	REV	DATE	REVISIONS	BY	CHK'D	APP'D
3	25.01.01	REF TO TARP TENSION DRAWING ADDED			Y.P.	E.K.	E.K.	
2	24.05.01	HOLE POSITION CHANGED AND ADDED DETAIL			Y.P.	E.K.	N.L.	
1	19.01.01	ISSUE FOR CONSTRUCTION			Y.P.	Y.P.	N.L.	
0	15.01.01	ISSUE FOR APPROVAL			Y.P.	Y.P.	N.L.	



SCALE	NTS	DATE
DRAWN	Y.P.	24.01.04
CHECKED	Y.P.	05.05.04
DESIGNED	E.K.	05.05.04
APPROVED	B.W.E.	05.05.04

SITE: BIBRA LAKE

DRAWING TITLE: 1.8m PORTABLE BULKHEAD FLAT BOTTOM FRAME & TARP CLAMPING, TENSIONING - GENERAL ARRANGEMENT

PROJECT	BULK HEAD WALL FRAME	SHT. NO.	B1
DRAWING NO	STD-034-0020	REYN	3